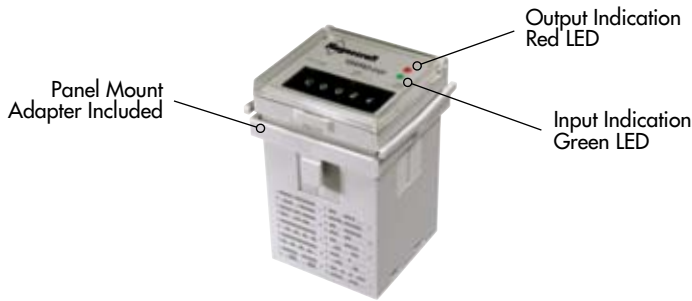
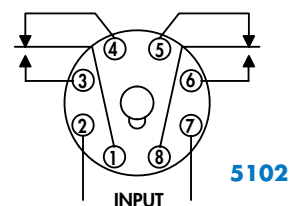
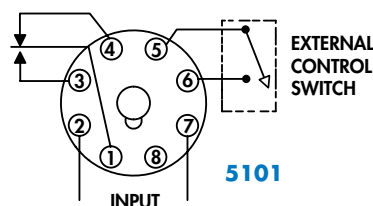
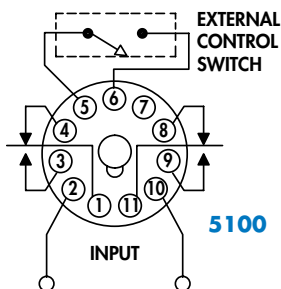


# TDRPRO-5100 Series Time Delay Relays/SPDT, DPDT 12 Amp Rating



General Specifications (@ 25°C) (UL 508)		New Part Number:		TDRPRO-5100	TDRPRO-5101	TDRPRO-5102
		Legacy Part Number:		TDRPRO-5000	TDRPRO-5001	TDRPRO-5002
<b>Output Characteristics</b>		<b>Units</b>		DPDT	SPDT	DPDT
Number and type of Contacts				Silver Alloy	Silver Alloy	Silver Alloy
Contact Material				12	12	12
Current rating	@ 240 VAC, 30 VDC	A		240 AC, 50/60 Hz	240 AC, 50/60 Hz	240 AC, 50/60 Hz
Switching voltage		V		30 DC	30 DC	30 DC
		HP		1/3 @ 120VAC	1/3 @ 120VAC	1/3 @ 120VAC
		HP		1/2 @ 240 VAC	1/2 @ 240 VAC	1/2 @ 240 VAC
Minimum Switching Requirement		Pilot Duty		B300	B300	B300
Indication	LED	mA		100	100	100
		Blinks = Timing		Red	Red	Red
		On = Energized				
<b>Input Characteristics</b>		<b>VAC / VDC</b>		12...240	12...240	12...240
Voltage Range				85% to 115%	85% to 115%	85% to 115%
Operating Range	% of Nominal					
Maximum consumption		AC	VA	2.5	2.5	2.5
		DC	W	2	2	2
Indication	LED			Green	Green	Green
<b>Timing Characteristics</b>				A,B,C,D,E,F,G,H,I,J	A,B,C,D,E,F,G,H,I,J	A,B,C
Functions Available	(See page 5/3)			7	7	7
Time Scales						
Time Ranges Available		0.1 sec		0...999	0...999	0...999
		sec		0...999	0...999	0...999
		0.1 min		0...999	0...999	0...999
		min		0...999	0...999	0...999
		0.1 hr		0...999	0...999	0...999
		hr		0...999	0...999	0...999
		10 hr		0...999	0...999	0...999
Tolerance	Mechanical Setting	%		0	0	0
Repeatability	Constant Voltage and Temperature	%		0.1	0.1	0.1
Operate Time	Maximum	ms		25	25	25
Release Time	Maximum	ms		25	25	25
Reset Time		ms		150	150	150
<b>Performance Characteristics</b>						
Electrical Life	Operations @ Rated Current (Resistive)			100,000	100,000	100,000
Mechanical Life	Unpowered	V		10,000,000	10,000,000	10,000,000
Dielectric strength	Input to Contacts	V		2500 AC	2500 AC	2500 AC
	Between Open Contacts			1000 AC	1000 AC	1000 AC
<b>Environment</b>						
Product certifications	Standard version			UR, CE	UR, CE	UR, CE
Ambient air temperature around the device	Storage	°C		-30...+70	-30...+70	-30...+70
	Operation	°C		-20...+55	-20...+55	-20...+55
Degree of protection				IP 40	IP 40	IP 40
Weight		grams		133	133	133

## WIRING DIAGRAMS



SECTION 5



TDRPRO Relay with the 70-750DL8-1 Socket

**Standard Part Numbers**

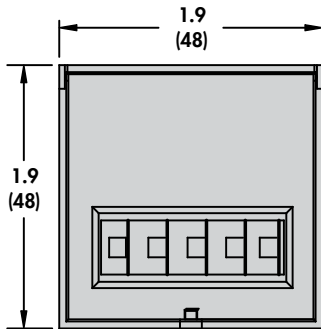
**BOLD-FACED PART NUMBERS ARE NORMALLY STOCKED**

New Part Number	Supercedes	Input Voltage	Timing Range	Functions Available	Contact Configuration	Rated Load Current
<b>TDRPRO-5100</b>	TDRPRO-5000	12...240 VAC/VDC	0.1s...9990h	A,B,C,D,E,F,G,H,I,J	DPDT	12 Amps
<b>TDRPRO-5101</b>	TDRPRO-5001	12...240 VAC/VDC	0.1s...9990h	A,B,C,D,E,F,G,H,I,J	SPDT	12 Amps
<b>TDRPRO-5102</b>	TDRPRO-5002	12...240 VAC/VDC	0.1s...9990h	A,B,C	DPDT	12 Amps

**FUNCTION DEFINITIONS**  
See Section 5 p.3

**Part Number Builder**

Series	Contact Configuration/ # of Functions
TDRPRO = 48 X 48 Time Delay Relay	5100 = DPDT, 10 Functions
	5101 = SPDT, 10 Functions
	5102 = DPDT, 3 Functions



Other mating sockets see Section 2: 70-750E8-1, 70-750E11-1, 70-169-1, 70-170-1, 70-465-1, 70-464-1

**70-750DL8-1, 70-750DL11-1 SOCKETS**

